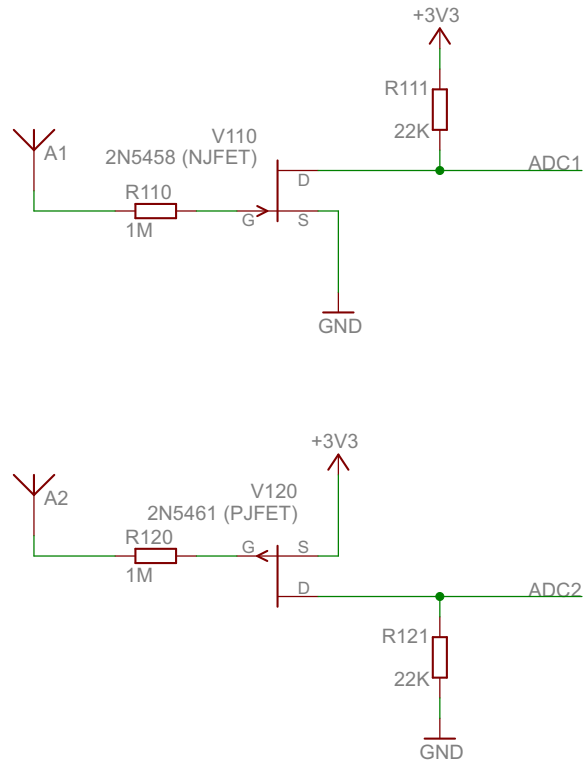


<h1>Power, µC, LEDs</h1>	
TITLE: ESD Guard	
Document Number:	REV:
Date: 31.03.2017 14:13:56	Sheet: 1/3



E-Field Detector

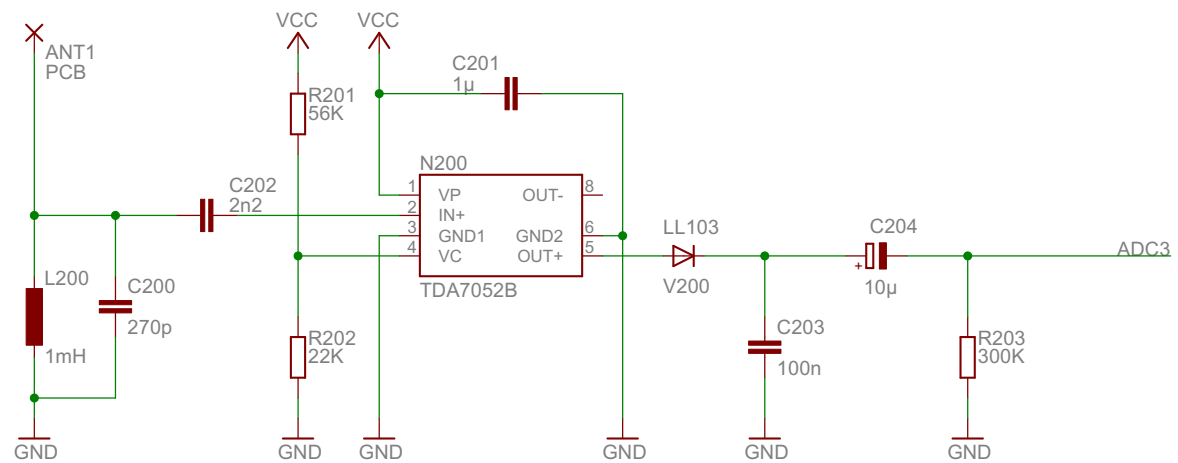
TITLE: ESD Guard

Document Number:

REV:

Date: 31.03.2017 14:13:56

Sheet: 2/3



Event Detector

TITLE: ESD Guard

Document Number:

REV:

Date: 31.03.2017 14:13:56

Sheet: 3/3